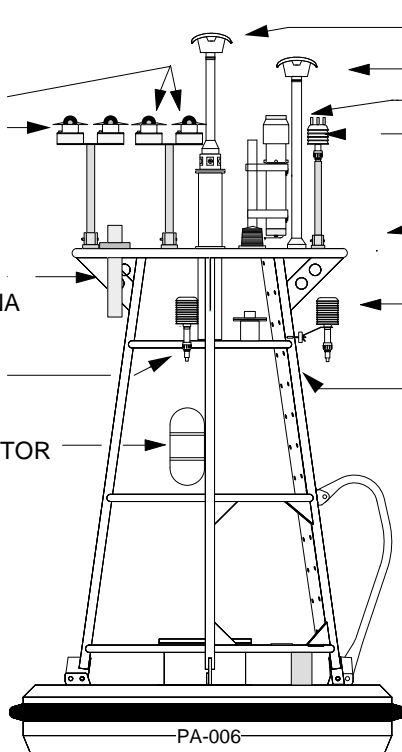


SHORT AND LONG WAVE RADIATION: ATLAS FLEX

CO2 ANTENNA  
AT/RH, FLEX  
RADAR REFLECTOR



GILL SONIC ANEMOMETER  
GILL SONIC ANEMOMETER, FLEX  
RAIN GAGE, FLEX  
VAISALA WXT 520, FLEX  
SOLAR LIGHT, FL(5) Y 20s  
AIR TEMPERATURE, RELATIVE HUMIDITY  
PAROS BAROMETER, FLEX

RECOVERY HANDLE

Sabine pCO2 & FLEX SYSTEMS

PA-006

1 METER:  
UW SBE-16 CTD/GTD/02/FLNTNTU /OPTODE  
UW SAMI pH SENSOR, real time via CO2  
2 METER 300 kHz SENTINEL ADCP (75-80 m profile)  
DOUBLE NUT AND TORQUE ALL LOAD CELL NUTS TO 120#

1 METER:  
ATLAS SSC  
SBE 37SMP TC

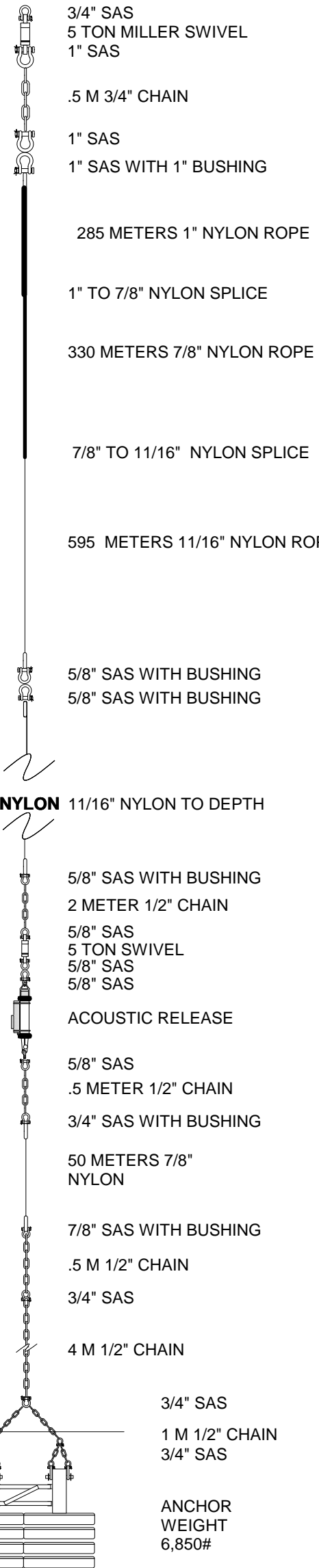
CABLE BRACKET  
LOAD CELL, FLEX

1 1/4" SAS  
1 1/4" SAS  
2 LINKS 1" CHAIN  
1" SAS

WRENCH TIGHTEN 3 SHACKLES


INDUCTIVE CABLE BREAKOUT

- 5 METERS SBE-39IM T INVERTED
- 10 METERS SBE-37IM TC
- 14 METERS SBE-39IM TP INVERTED
- 15.5 METERS AQUADOPP
- 20 METERS SBE-37IM TC
- 25 METERS SBE-37IM TC
- 30 METERS SBE-37IM TC
- 35.5 METERS AQUADOPP
- 37 METERS SBE-37IM TC
- 45 METERS SBE-37IM TC
- 60 METERS SBE-37IM TC
- 80 METERS SBE-37IM TC
- 100 METERS SBE-37IM TC
- 120 METERS SBE-37IM TC
- 150 METERS SBE-37IM TC
- 175 METERS SBE-39IM TP
- 200 METERS SBE-37IM TC
- 300 METERS SBE-39IM TP
- 325 METERS END OF WIRE  
3/4" SAS



SBE-37SMP TCP

ALL SHACKLES BELOW THIS LINE WELDED

WRENCH TIGHTEN ALL SHACKLES	
DEPTH: 4,230 METERS	
 <b>NOAA-PMEL</b> 7600 Sandpoint Way NE Seattle, Wa. 98115 (206) 526-6149	
MOORING:	PA-006
LOCATION:	50N 145W
SCOPE:	.985 : 1
DRAWN BY:	Rick Miller
DATE:	1 MAY 2012
AS DEPLOYED:	DATE: 10 SEPT. 2012